



Picture shown may not reflect actual package.

## C9 WEATHER PROTECTIVE ENCLOSURES

These weather protective, factory installed enclosures include critical level silencers\*, designed for safety and aesthetic value on fabricated steel skid bases. Optional UL listed tanks are available. These enclosures are of extremely rugged construction to withstand exposure to the elements of weather.

\*Shipped loose

### FEATURES

#### ROBUST/HIGHLY CORROSION RESISTANT CONSTRUCTION

- Approved for use with UL 2200 listed generator set packages
- Environmentally friendly, polyester powder baked paint
- Zinc plated or stainless steel fasteners
- Radiator site window
- Top mounted critical exhaust silencing system (System shipped loose for installation at site.)
- 14 gauge steel

#### EXCELLENT ACCESS

- Large cable entry area for installation ease
- Accommodates optional rear-mounted breaker
- Double doors on both sides
- Vertically hinged doors allow 180° opening rotation
- Lube oil and coolant drains pipes to exterior of enclosure and terminated with drain valves
- Radiator fill cover

### SECURITY AND SAFETY

- Lockable access doors with standard key utilization
- Cooling fan and battery charging alternator fully guarded
- Fuel fill, oil fill, coolant and battery can only be reached via lockable access
- Stub-up cover sheets for "rodent proofing"
- Externally mounted emergency stop button
- Designed for spreader-bar lifting to ensure safety
- Control panel viewing window

### OPTIONS

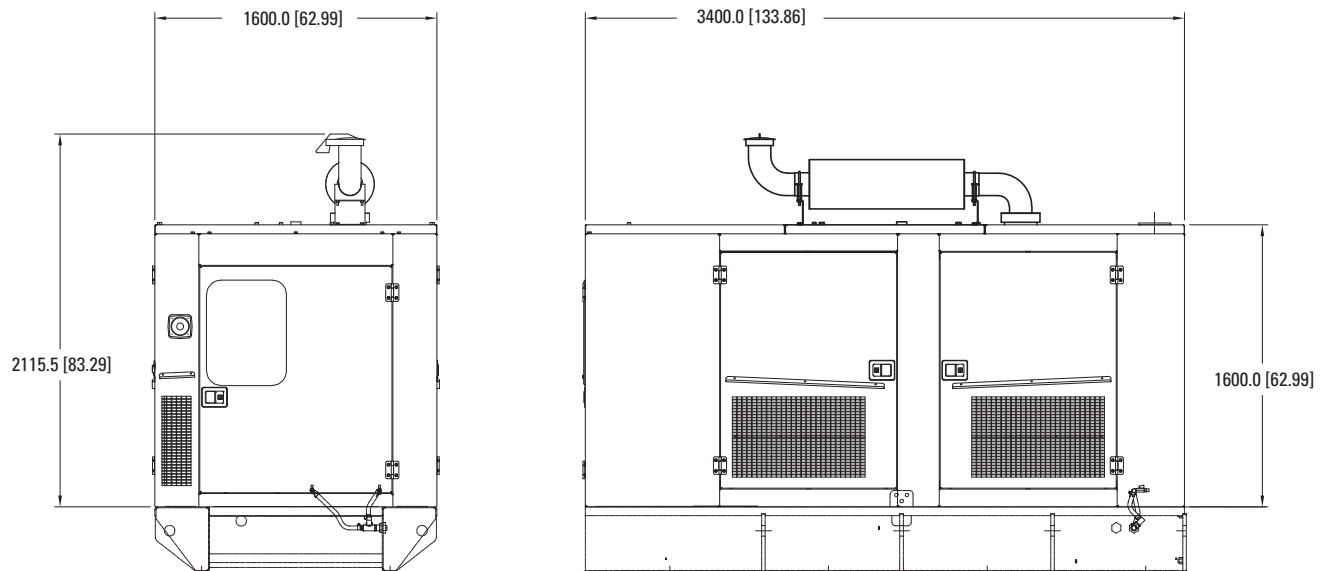
- Yellow, white, beige or ASA 61 gray paint
- Interior lighting system
- UL listed integral fuel tank
- Skid base
- Dual breakers (second breaker mounted on right hand side)



## ENCLOSURE OPERATING CHARACTERISTICS

60 Hz (certified) WP Enclosure			Ambient Capability*		Airflow Rate		Sound Pressure Levels dBA @ Full Load			Exhaust Back Pressure	
ekW	kVA	PP/SB	°C	°F	m <sup>3</sup> /s	CFM	3.3 ft	23.0 ft	49.2 ft	in/H <sub>2</sub> O	kPa
300	375	SB	49	120	7.1	14,952	95.8	84.2	78.2	17.8	4.43
275	344	PP	48	118	7.1	14,952	95.4	83.9	77.9	17.4	4.34
250	313	SB	57	135	7.1	14,952	95.2	83.6	77.6	16.6	4.12
225	281	PP	54	129	7.1	14,952	94.9	83.4	77.4	15.3	3.80
200	250	SB	51	135	7.1	14,952	94.9	83.4	77.4	16.6	4.12
180	225	PP	49	129	7.1	14,952	94.9	83.4	77.4	15.3	3.80

\*Ambient measured with Caterpillar Extended Life Coolant



Approximate weight of enclosure package: 2990 kg (6,592 lb)\*

\*Dependant on options, excludes roof mounted muffler.

Caterpillar is pleased to offer these additional generator set enclosure colors: white, bright beige, and ASA 61 gray. (Caterpillar yellow is standard color.)

Information contained in this publication may be considered confidential.

Discretion is recommended when distributing.

Materials and specifications are subject to change without notice.

CAT, CATERPILLAR, their respective logos, "Caterpillar Yellow" and the "Power Edge" trade dress, as well as corporate and product identity used herein, are trademarks of Caterpillar and may not be used without permission.

www.Cat-ElectricPower.com

© 2009 Caterpillar  
All Rights Reserved.  
Printed in U.S.A.